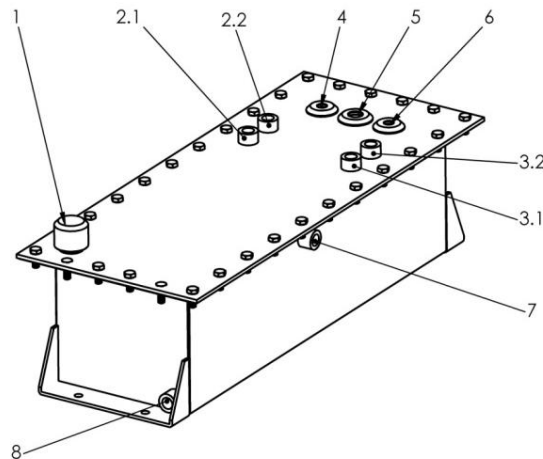


Oktopus Hydraulic Power Unit (OktoHPU) – Data sheet

compact underwater hydraulic power unit with integrated motor, valves and pressure sensor



1 Environmental

IP protection class: IP 68, steady up to 600 bar
Nominal diving depth: 6,000 m
Operating temperature: -10 ... +40 °C

2 Mechanical

Material: Stainless Steel 1,4571
Dimensions: 680 mm x 250 mm x 230 mm
(without pressure compensation balloon)

3 Hydraulic (other specifications and functions on request)

Pos. 1: oil refill port
Pos. 2: pressure port with synchronization (max. 190 bar)
Pos. 3: pressure port without synchronization (max. 190 bar)
Pos. 7: port for pressure compensation balloon
Pos. 8: oil drain port
Oil volume: approx. 20 l
Oil type: HLP 41 (or HLP Synth 15)

4 Electrical

Connectors

Tank (magnetic valves): Subconn BH4M (26 V_{DC}, 1.2 A)
Tank (pressure sensors): Subconn BH4M (26 V_{DC}, 4 mA w/o load)
Motor (control unit): Subconn BHMP3M

Motor

Nominal input voltage: 48 VDC
Nominal input current: 70 A
Nominal input power: max. 2.5kW